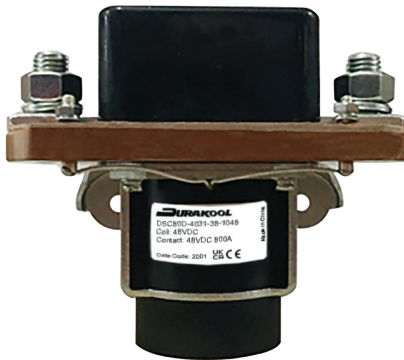


NOT FOR NEW DESIGNS



- Normally closed (1D) contacts
- Rated load: 800A at 48VDC
- Double coil economiser
- Auxiliary contact option
- M12 power terminations
- Battery storage applications
- Electric vehicles and DC motors



Contacts

Contact arrangement	SPST-NC-DB
Contact material	AgCuO
Max. switching voltage	DC 48VDC
Rated load (resistive $\cos \phi=1$)	DC1 800A 48VDC
Continuous thermal current	max. 800A
Terminal temperature rise above ambient	<70°C. (IEC EN60947, GB14/140484)
Voltage drop	≤80mV @ 800A
Auxiliary contact (when fitted)	arrangement SPST-NO + SPST-NC
	max. current 5A @ 24VDC / 2A @ 48VDC
	min. current 100mA @ 5VDC

Coil

Nominal voltage	DC 12, 24, 48, 60VDC - see table 1
Nominal "on hold" power consumption	max 18W
Working duty	Continuous

Insulation

Insulation resistance	initial	100MΩ (Min.) @500VDC
	life end	50MΩ (Min.)
Dielectric strength	coil to contact	1000Vrms (50/60Hz) / <1mA / 1 min (at sea level)
	contact to contact	1000Vrms (50/60Hz) / <1mA / 1 min (at sea level)

General Data

Operate time inc. bounce at 20°C	≤30ms
Release time	≤30ms
Electrical life (at rated load)	ops. 6,000 operations
Mechanical life	ops. 1 x 10 ⁵

Environmental

Ambient temperature	operating / storage	-25°C to +60°C / -40°C to +65°C
Relative humidity		20 to 90%RH
Shock resistance		≤4g, (60 ~ 100ops/min)
Vibration resistance		≤3.5g sine peak (10 to 200Hz)
Dimensions	L x W x H	114.5 x 82 x 130mm (excluding aux.switch)
Weight	approx.	1500g

Ordering Code

DSC80D - 4 0 3 1 - 3 8 - 1 0 1 2 -			
Series		Coil code:	
			See table 1
Contact arrangement	4031: SPST-NC-DB		
Body style	38: Enclosed, M12 Male stud power terminals		
Accessory options	Blank: No options S: Auxiliary switch		

NB:
Mounting orientation:
The DSC80D may be mounted horizontally, but if mounted vertically, the coil should be positioned downwards, with the terminals uppermost.

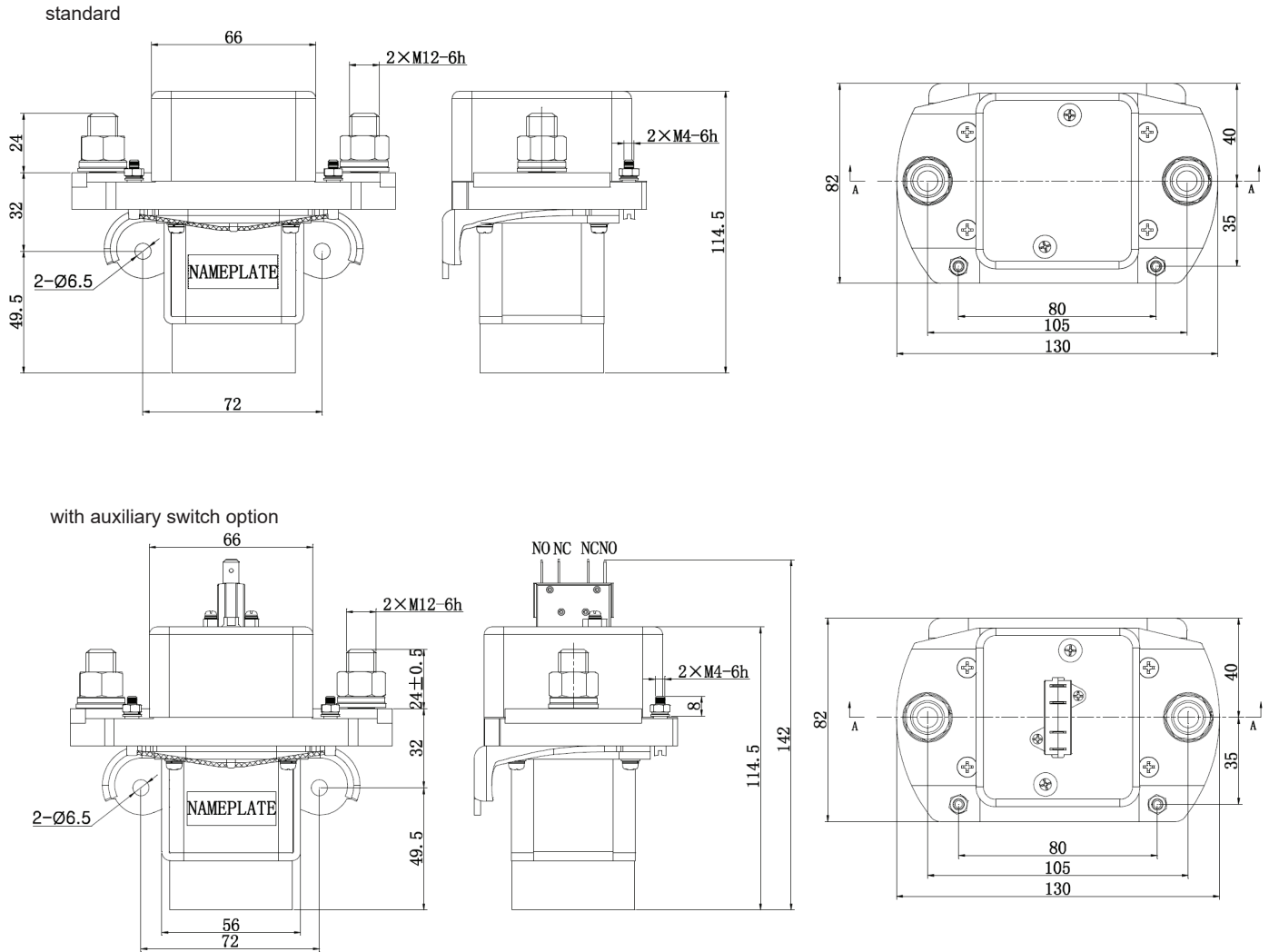
Coil Data

Table 1

Coil code	Nominal voltage (VDC) U_s	Working voltage range (V)	Must operate voltage max. (VDC)	Must release voltage min. (VDC)	Starting current (A)	Holding current (A)
1012	12	0.85 U_s ~ 1.1 U_s	8.4	1.2	≤ 23.0	≤ 1.5
1024	24		16.8	2.4	≤ 11.0	≤ 0.6
1048	48		33.6	4.8	≤ 6.0	≤ 0.3
1060	60		42.0	6.0	≤ 5.0	≤ 0.25

Dimensions

Fig. 1

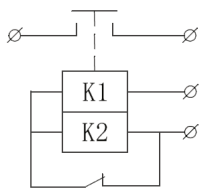


Dimensions in mm

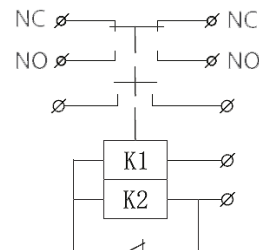
Connections

Fig. 2

DSC80D



standard



with auxiliary switch option