



- Vehicle indicator relay
- Stable electronic timing
- Wide operating voltage and temperature range
- Long life
- Metal mounting bracket option
- RoHS & ELV Compliant

ROHS Compliant ✓

Contacts

Contact arrangement	SPST-NO (1 Form A)
Contact material	AgSnO ₂
Max. switching voltage	15VDC
Rated load	0.1 to 30W
Max. switching current	20A
Operating voltage range	11 to 15VDC, 22 to 30VDC
Min. switched load	recommended 0.1W / 20mA

Coil

Operating range	DC	See Table 1
Flash frequency	rated load	85+/-10 per minute
Duty ratio	on / off	30% / 70%

General Data

Electrical life at full rated load	> 400 hours
Mechanical life	cycles > 1 x 10 ⁷

Environmental

Ambient temperature	-40 to +85°C
Relative humidity	85% (40°C)
Mechanical shock	20g, 11ms
Vibration resistance	10-40Hz: DA1.27mm, 40-70Hz 5g 70-100Hz: DA 0.5mm, 100-500Hz: 10g
Dimensions	L x W x H 28.4 x 28.4 x 39.7 (excluding terminals)
Weight	approx. 30g

Ordering Code

D G 4 3 E - 3 0 2 1 - 9 6 - 1 0 1 2

Series

Coil code:
see Table 1

Contact material

30: AgSnO₂

Contact arrangement

21: SPST-NO

Mounting & terminations

76: Plug-in, 6.35mm QC

96: Plug-in, 6.35mm QC, Metal bracket

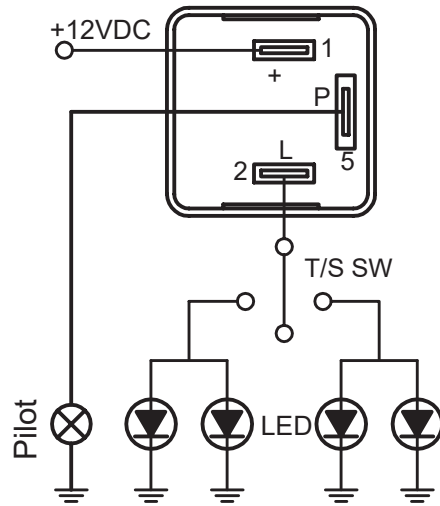
DC Coil Data

Table 1

Coil code	Nominal voltage (VDC)	Operating voltage	Test voltage (at 20°C ± 2°C)
1012	12	11 to 15VDC	13VDC ± 0.2VDC
1024	24	22 to 30VDC	26VDC ± 0.4VDC

Circuit Diagram

Fig 1



Bottom view

Dimensions

Fig 2

