



- High current - up to 350A
- High load voltage - up to 1200VAC
- 3 to 32VDC Control voltage
- Zero cross-over switching
- Compact case sizes



Output (Load)

Load type	SPST-NO (1 N/O) Resistive
Load current	60A ~ 150A, 200A ~ 350A
Load switching voltage	AC V_{rms} 60 ~ 1200V
Maximum peak voltage	AC V_{pt} 1600V
I^2t	60A: 3200 / 80A: 5000 / 100A: 7200 / 120A: 11250 /
	A ² s 150A: 20000 / 200A: 31250 / 250A: 45000 / 300A: 61250 / 350A: 80000

Input (control)

Control voltage	V DC: 3 ~ 14 or 3 ~ 32
Control current	mA 5 ~ 25
Turn-on voltage (min.)	V_{min} DC: 3
Turn-on voltage (max.)	V_{max} DC: 35
Turn-off voltage	V DC: 1

Environmental

Dimensions L x W x H	small case	94 x 25 x 36.2mm
	large case	94 x 34 x 43mm
Weight approx.	small case	135g
	large case	235g

Note:

All SSR's should be protected by fast acting "semiconductor" fuses.

Circuit breakers and normal fuses are not quick enough to protect the SSR in the event of a current surge or spike"

It is recommended that load power is kept to no more than 70% of the SSR's rating to avoid unexpected issues in the event of variations in the load and ambient temperature" These SSR's are designed to be used with a suitable heat sink.

Transfer Pads and Heatsinks for Durakool SSR relays can be found in Durakool's Solid State Relay (SSR) catalogue.

Ordering Code

S S G 1 C - 0 3 2 F - 1 2 0 - 0 6 0 A

Series

Input control voltage

014: 3 ~ 14

032: 3 ~ 32

Case sealing

F: Fully sealed

Output (load) voltage

120: 60 ~ 1200VAC

Load current

060: 60A

080: 80A

100: 100A small case size

120: 120A

150: 150A

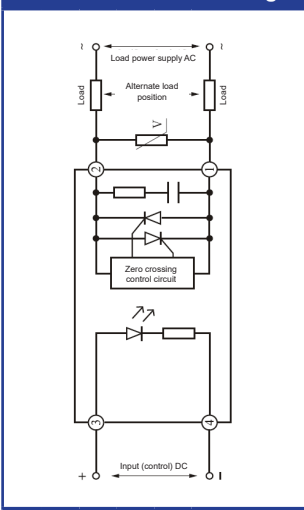
200: 200A

300: 300A large case size

350: 350A

Schematic

Fig. 1



Dimensions mm

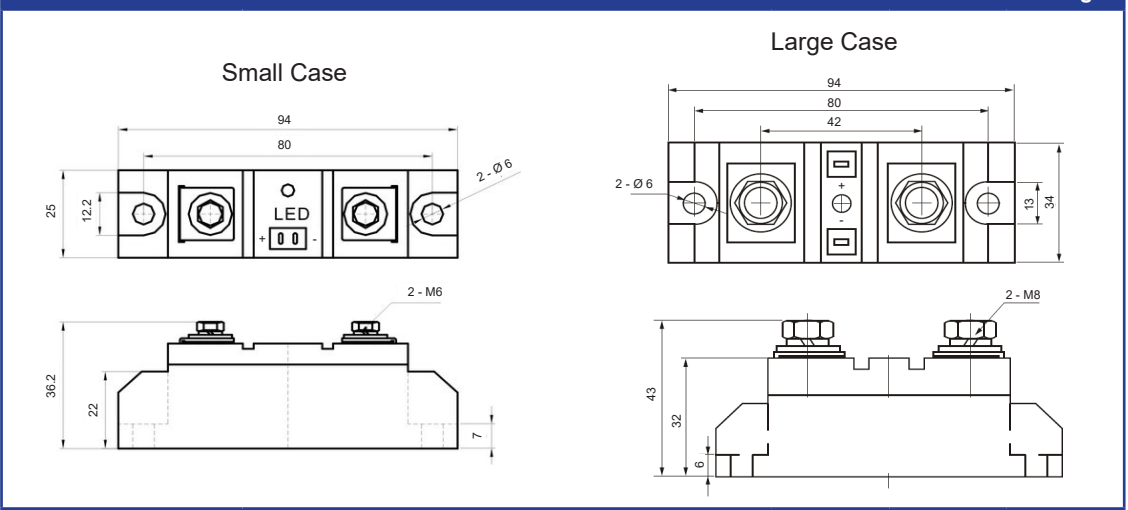


Fig. 2