

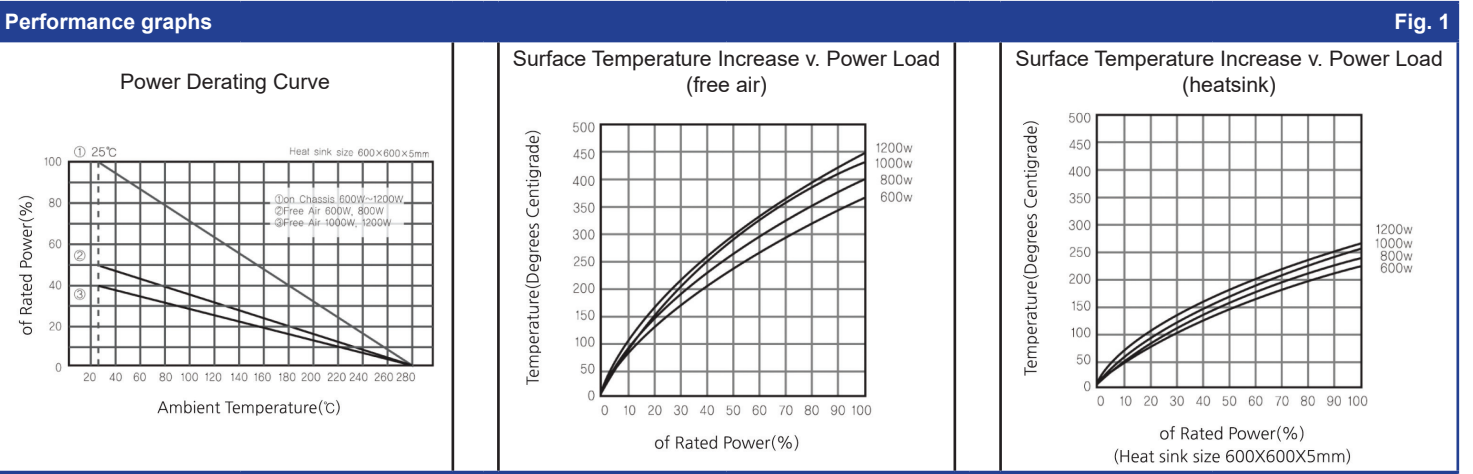


- Slim 45mm or 60mm profile aluminium housed
- Pre-charge & discharge resistors
- Power ratings from 600W to 2800W
- Resistance ranges from 0.1Ω to 250Ω
- Tolerances of 0.5%, 1%, 2%, 5% & 10%
- M5 terminals for EV, HEV & PHEV vehicles

RoHS  
Compliant ✓

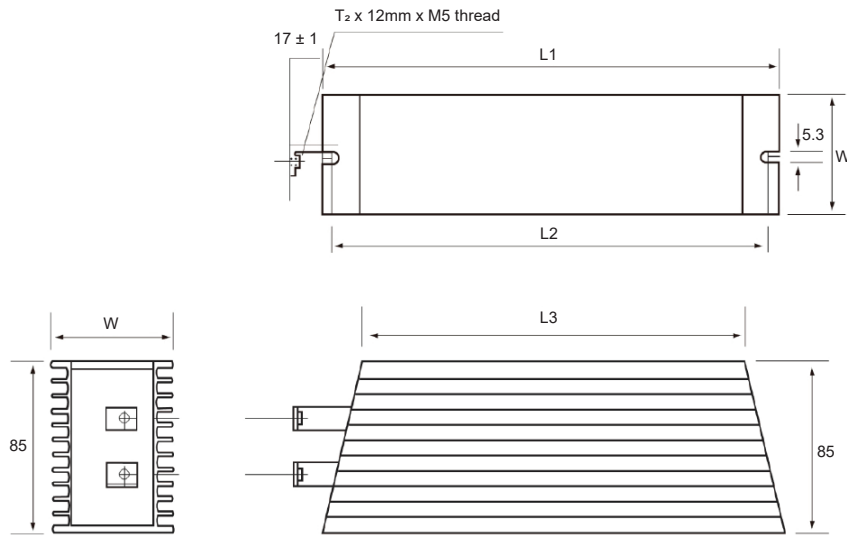
Technical Data		Table 1							
Type		XV6-600	XV6-800	XV6-1000	XV6-1200	XV6-1500	XV6-2000	XV6-2400	XV6-2800
Power rating	(on heatsink)	600W	800W	1000W	1200W	1500W	2000W	2400W	2800W
	(in free air)	330W	360W	400W	480W	590W	660W	740W	750W
Max. Operating Voltage		1600V	1800V	2000V	2200V	2300V	2500V	2600V	3000V
Resistance range	(Inductive)	0.1Ω ~ 94Ω	0.1Ω ~ 112Ω	0.1Ω ~ 200Ω	0.1Ω ~ 250Ω	1Ω ~ 250Ω	1Ω ~ 250Ω	1Ω ~ 250Ω	1Ω ~ 250Ω
	(Non-inductive)	1Ω ~ 20Ω	1Ω ~ 24Ω	1Ω ~ 34Ω	1Ω ~ 40Ω				
Resistance tolerance		± 0.5%, ± 1%, ± 2%, ± 5%, ± 10%							

Performance Data		Table 2
Operating temperature range	-55°C ~ +200°C	
TCR	0.5Ω to 1Ω: 1300ppm/°C   1.1Ω to 5Ω: 500ppm/°C   5.1Ω to 250Ω: 260ppm/°C	
Dielectric withstand voltage	2500VAC, 1 min.	
Insulation resistance	≥ 20MΩ	
Short time overload	± 2% +0.05Ω / 5 times rated power for 5 seconds	
Load life	± 5% +0.05Ω / 90 minutes rated power (chassis mounted), 1hr 30mins on / 30 minutes off, 500hrs	
Moisture resistance	± 2% +0.05Ω / 40°C, 95% RH, 1/10 wattage rating , 1hr30mins on / 30 minutes off, 500hrs	
Moisture load life	± 1% +0.05Ω / 275°C, 2hrs	
Vibration	± 0.2% +0.05Ω / 10Hz - 55Hz - 10Hz (1 minute) 2 hours each direction	
Terminations	2 x M5 x 12mm female	



Dimensions (mm)

Fig. 2



Tolerance = ± 0.5mm unless otherwise specified

Dimensions (mm)

Table 3

Type	L1 ± 2	L2 ± 2	L3 ± 2	W ± 0.5	Weight (g)
XV6-600	215	203	175	45*	1300
XV6-800	265	253	225	45*	1600
XV6-1000	335	323	295	45*	1950
XV6-1200	335	323	295	60	2200
XV6-1500	415	400	375	60	2820
XV6-2000	440	425	400	60	3500
XV6-2400	480	465	440	60	3850
XV6-2800	550	535	510	60	4400

\* Cooling fins on case are less pronounced.

### Example Ordering Code

X V 6 - 1 2 0 0 - 2 5 0 - J - I -

